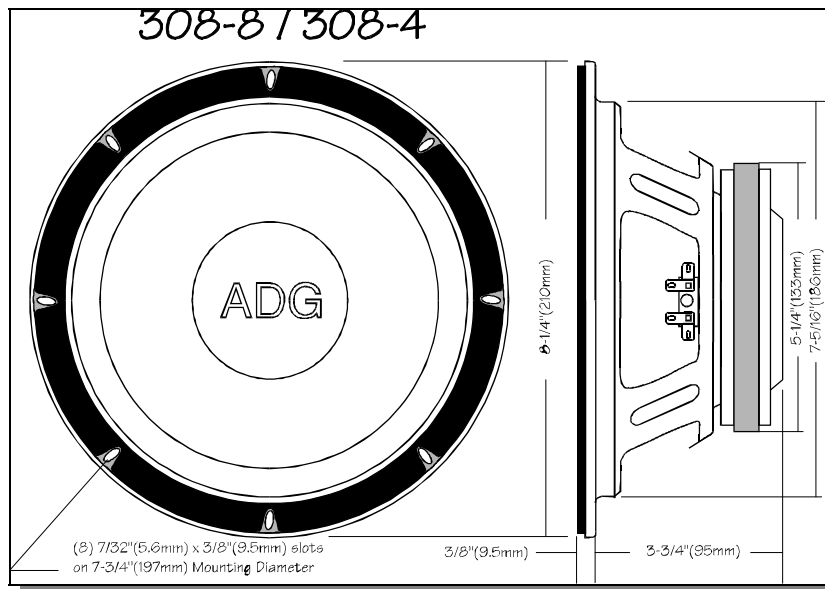


Acoustic Design Group, Inc.

308 Series Subwoofers

- 100 WRMS CONTINUOUS POWER, 200 WATTS PEAK POWER
- 2" VOICE COIL - 7 MIL ANODIZED ALUMINUM FORMER FOR HEAT DISSIPATION AND POWER HANDLING
- 32 OZ MAGNET FOR MAXIMUM MAGNETIC FLUX
- VENTED POLE PIECE FOR BETTER VOICE COIL COOLING AND HIGHER POWER HANDLING.
- CONE MATERIAL IS EXCEPTIONALLY STIFF FOR MASSIVE POWER HANDLING CAPACITY, DYNAMICS AND TRANSIENT RESPONSE
- 3 YEAR WARRANTY... FROM MANUFACTURERS DEFECTS (SEE DETAILS) when installed by an authorized ADG dealer



Technical Data	308-8	308-4
Nominal Diameter (in./mm)	8 / 203	8 / 203
Magnet Weight (Oz./g.)	32 / 900	32 / 900
Frequency Range (Hz.)	40 - 2500	40 - 2500
Nominal Impedance (Ohms)	8	4
DC Resistance (R_E)(Ohms)	5.7	3.6
Inductance (mH @ 1000Hz)	0.95	0.74
Resonance Frequency (f_e)(Hz.)	45	45
Mechanical Q Factor (Q_{MS})	2.669	2.560
Electrical Q Factor (Q_{ES})	1.109	0.773
Total Q Factor (Q_{TS})	0.7833	0.594
Effective Cone Area (S_D)(Sq M)	0.22	0.22
Equivalent Air Volume (V_{AS})(Litre)	21.96	21.72
Compliance (C_{MS})(uM-N)	319.5	316.0
Moving Mass (M_{MS})(g)	39.1	39.4
Voice Coil Diameter(in./mm)	2 / 51	2 / 51
Voice Coil Winding Height(in./mm)	0.700 / 18	0.700 / 18
Top Plate Thickness(in./mm)	0.300 / 7.5	0.300 / 7.5
Linear Excursion (X_{max})(in./mm)	0.200 / 5.25	0.200 / 5.25
Force Factor (Bl)(T.M)	7.54	7.21
Sensitivity (SPL)(dB.)	86	86
Power Handling (P_E)(Watt.R.M.S.)	100	100

Yo, just so you know, we reserve the right to make specification changes and product improvements without notice.