

## 19" Welded Steel Equipment Racks

### RME Series

- \* Full featured equipment rack intended for use as a stand alone racking system, however can be ganged as well.
- \* Top, bottom, and sides are constructed from 16-gauge steel.
- \* Welded at 24 final assembly points for extra strength and rigidity.
- \* The RME racks are designed to hold up to 750 lbs. of equipment.
- \* Rack outer width is 22". Offered in two depths; a 20" deep rack with 18.43" of useable internal depth (rail to rail) and a 25" deep rack with 23.50" of useable internal depth (rail to rail).
- \* Flush mounted rear door is included. Both rear and optional front door can be hinged from the left or right side of the rack. (Included with the door is a lock and a pocket handle.)
- \* Front fully adjustable 10-32 threaded rack rail is included and pre-installed.
- \* Rear rail is optional. (Part #: RME-RRXX)
- \* Finished in durable black textured powder coat.

### RME Options - Sold Separately

Standard Top - **Part #: RME-ST**

Vented Top - **Part #: RME-VT**

Top w/3 fan knock-outs - **Part #: RME-4FT**

Standard Front Door - **Part #: SD-XX**

*Offered in 18, 27, 35, 40, and 44 rack spaces.*

Vented Front Door - **Part #: VT-XX**

Plexi-glass Front Door - **Part #: PD-XX**

*Both offered in 27, 35, 40, and 44 rack spaces.*

*Caster bases with weight capacity of 1300 lbs.*

20" Deep Caster Base - **Part #: RME-CB20**

25" Deep Caster Base - **Part #: RME-CB25**

Set of 4 Leveling Feet - **Part #: RLF**

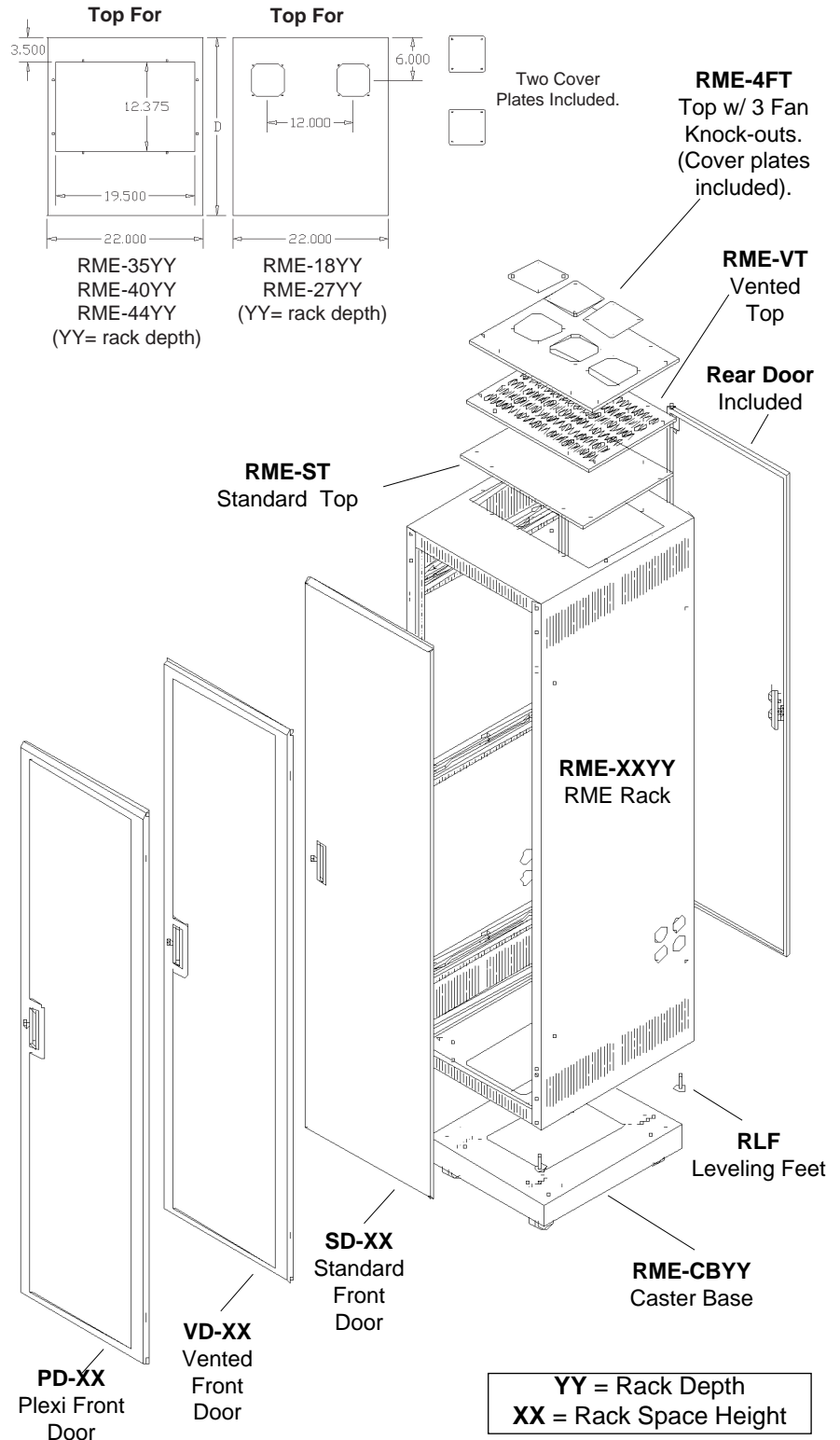
Seismic Floor Anchors - **Part #: RME-Z4**

Rear Rack Rail - **Part #: RME-RRXX**

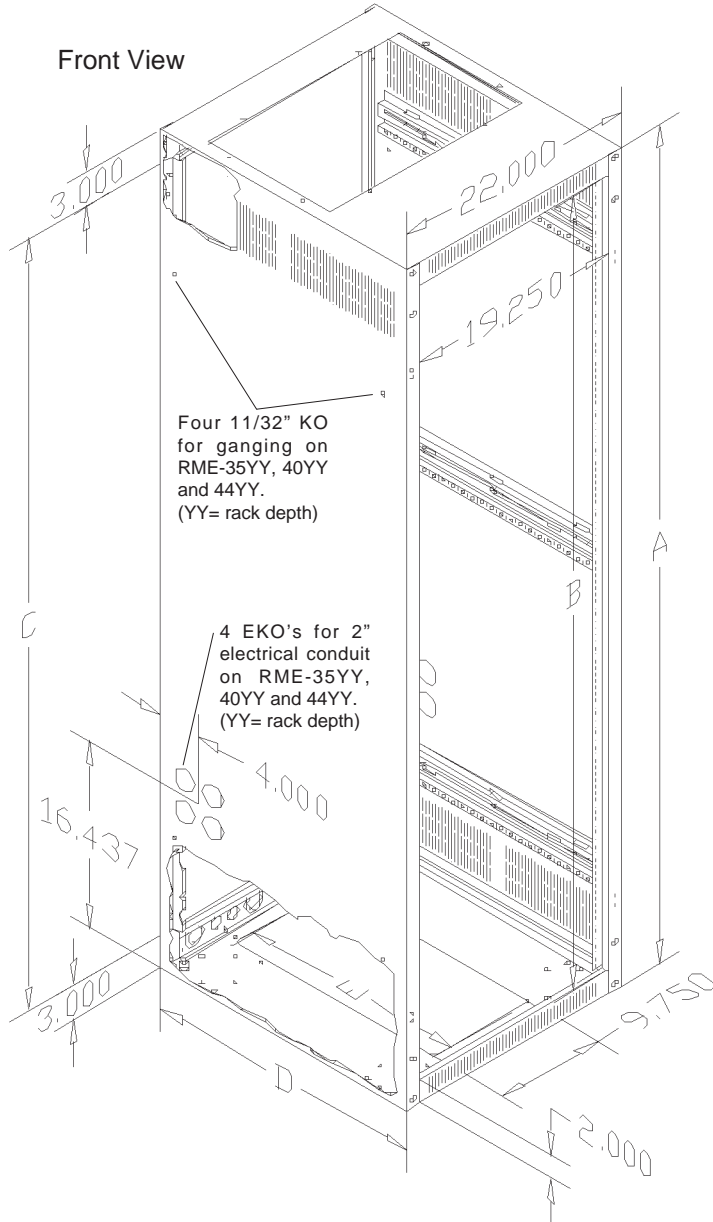
*Offered in 18, 27, 35, 40 and 45 rack spaces.*

10 Rack Ganging Hardware kit - **Part #: RGH-10**

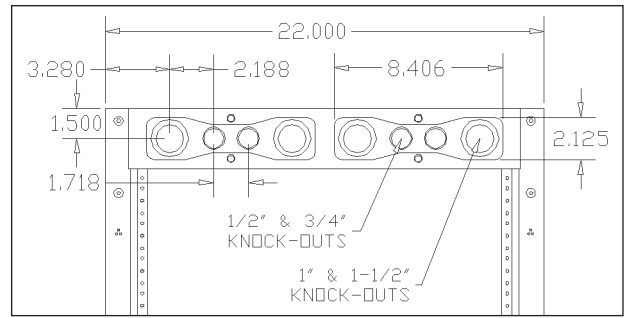
### RME Series & Accessories



**RME Series**



**Rear View - Electrical Knock-Outs (Top/Bottom)**



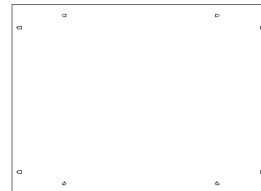
**Front door clearance:** When the front door is closed and the rack rail is in the forward-most position, the distance between the front of the rack rail and the inside of the front door is 1.44" (Standard and vented doors), and 1.25" (Plexi-glass door).

**Rear door clearance:** When the rear door is closed and the rack rail is in the rear-most position, the distance between the out-side edge of the rack rail and the inside of the door is 0.80".

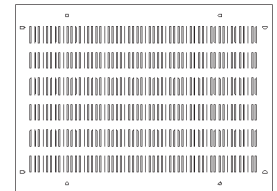
**Caster base clearance:** When a caster base is installed into the rack, the over all height of the rack is increased by 3.975".

**RME-35YY, 40YY, and 44YY - Top Options**

**RME-ST**

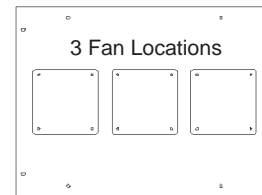


**RME-VT**



**3 Fan Locations**

1 to 3 Fans  
Cover Plates  
included.



**RME-4FT**

See other side for part descriptions.

To order any of these racks and options use these part numbers:

RME-XXYY	SD-XX	VD-XX	PD-XX
RME-CBYY		RME-RRXX	

(XX= rack space height)  
(YY= rack depth)

Part #:	Dim "A"	Dim "B"	Dim "C"	Dim "D"	Dim "E"
RME-1820	35.625"	31.625"	29.625"	20.000"	15.250"
RME-2720	51.375"	47.375"	45.375"	20.000"	15.250"
RME-3520	65.375"	61.375"	59.375"	20.000"	15.250"
RME-4020	74.125"	70.125"	68.125"	20.000"	15.250"
RME-4420	81.125"	77.125"	75.125"	20.000"	15.250"
RME-3525	65.375"	61.375"	59.375"	25.000"	20.250"
RME-4025	74.125"	70.125"	68.125"	25.000"	20.250"
RME-4425	81.125"	77.125"	75.125"	25.000"	20.250"



**ARNSCOTT ELECTRONICS GROUP**