

# RSE Series

## 19" Black Laminated Wooden Rack

### RSE Series

#### RSE Series

- \* Made from 5/8" medium density particle board, high pressure black laminate.
- \* Packed flat for economical shipping.
- \* All edges are banded.
- \* Two depths 16" and 18".
- \* The 16" depth is offered in these rack space heights of 4, 8, 12, 16, and 20.
- \* The 18" depth is offered in these rack space heights 12, 16 and 20.
- \* Pre-installed 11-gauge rack rail tapped at 10-32, the rail is installed 1/2" from the front of the rack.
- \* Side panels are not removable and do not have electrical knock-outs, in order to gang these units an access port must be cut.
- \* Hardware kit with one allen is included for easy assembly.

#### RSE Options - Sold Separately

##### Wheel Caster Kit - Part #: RWC

The over all height of the rack is increased by 2.687". Two locking caster and two non-locking casters and hardware kit is included.

##### Wall Mounted Shelf - Part #: RSE-S

Shelf can be used to install the RSE-Series rack onto a wall. Shelf dimensions: 20.50" W X 14.50" H X 18.75" D.

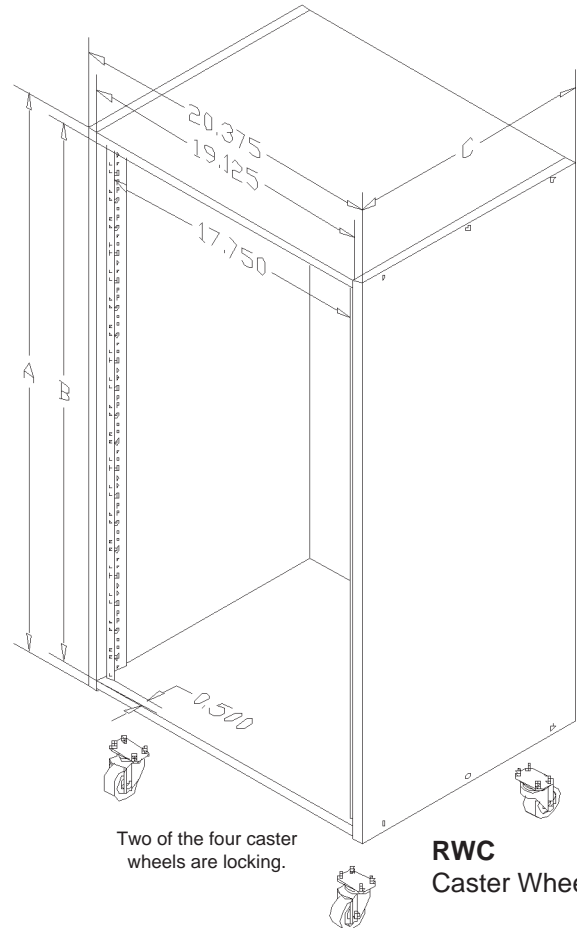
##### Rear Rack Rail - Part #: RR-XX (XX = Rack space)

(Note: Rear rail is not full hole.)

##### Wood Screw Hardware - Part #: HWS-L

Used to secure the rear rack rail to the wooden side.

To order these any of these racks use this part numbers:	
RSE-XX16	RSE-XX18
(XX= rack space height)	



**Note:** All RSE Series racks are packed flat for economical shipping, requires assembly.

Part #:	Dim "A" (Height)	Dim "B" (Racking Height)	Dim "C" (Depth)
RSE-416	8.50"	7.00"	16.00"
RSE-816	15.50"	14.00"	16.00"
RSE-1216	22.50"	21.00"	16.00"
RSE-1616	29.50"	28.00"	16.00"
RSE-2016	36.50"	35.00"	16.00"
RSE-1218	22.50"	21.00"	18.00"
RSE-1618	29.50"	28.00"	18.00"
RSE-2018	36.50"	35.00"	18.00"