



www.arnscott.com

Acoustic Back-Boxes



# E10 Series

## E10 Series

Round Acoustic Back-Boxes for 8" Loudspeakers

### FEATURES

- Rust resistant heavy gauge electro-plated steel
- A variety of volumes are available
- Mounting straps are welded at 90 degrees which can help for difficult mount installations
- Deeper models are available with Acoustic Dampening Lining
- Custom depths and k/o or mounting strap configurations are available
- Some Models approved for ULC™ Listed Installations



E10-10L

# E10 Series

## Round Acoustic Back-Boxes for 8" Loudspeakers

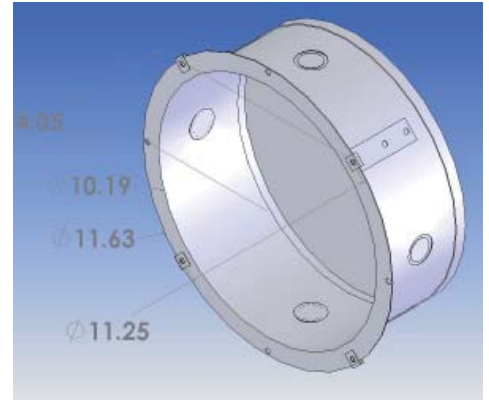
E10 Series

### SPECIFICATIONS

**Baffles that work with these back-boxes:**

Standard Screw Mount:  
G10W, G11W, G11A, G11SS, G24W,  
Torsion Mount:  
GA10W, GA11W

Note: k/o's are 2" centered from the back on the sides at 90 degrees from each other. This applies to all models.  
All back-boxes can be custom configured, send us a drawing or sketch and we would be pleased to quote you.  
In order to fulfill ULC listing requirements, this back box must be installed with an Arnscott Fire Rated Speaker.



Model No.	Depth	Lined	Spray Dampened	Cubic Feet	Mounting	ULC Listed
Screw Mount:						
E10	4"	No	Yes	0.18	MF1, MC1-P	Yes
E10-5	5"	No	Yes	0.22	MF1, MC1-P	No
E10-6L	6"	Yes	No	0.26	MF1, MC1-P	No
E10-10L	10"	Yes	No	0.45	MF1, MC1-P	No
Torsion Mount:						
EA10	4"	No	Yes	0.18	MF1, MC1-P	No
EA10-6L	6"	Yes	No	0.26	MF1, MC1-P	No
EA10-10L	10"	Yes	No	0.45	MF1, MC1-P	No

### ARCHITECTS AND ENGINEERS SPECIFICATIONS

**MODELS E10, E10-5, E10-6L, E10-10L**

The ceiling BACKBOX shall be AEG Models E10, E10-5, E10-6L & E10-10L. The back-box shall be constructed of electro-plated steel and shall have the interior coated with resonance damping material (4 and 5" deep models only). Four mounting straps shall be provided as well as four combination 1/2" - 3/4" knockouts for conduit. The unit shall measure 25cm (10") round at the base, 29.5cm (11 5/8") at the top flange, and have a maximum depth of 10cm (4") (See chart above for complete information). The back boxes E10-6L & E10-10L are lined with 5/16" thick fire retardant acoustical insulation, with a density of 3 Lb. per Ft<sup>3</sup>. These units shall be used wherever recessed ceiling or wall mount conditions exist. For concrete applications use AEG Model E11 backbox and G11-14W baffle. The E10 is ULC listed and is equipped with a ground screw. These backboxes shall accommodate AEG baffle Models G10W, G11W, G11A, G11SS and Vandal Proof G24W.

**MODEL EA10, EA10-6L, EA10-10L**

The torsion mounted baffle type back-box shall be AEG Model EA10, EA10-6L & EA10-10L. The back-box shall be constructed of electro-plated steel. EA10 shall have the interior coated with resonance damping material. The back boxes EA10-6L & EA10-10L are lined with 5/16" thick fire retardant acoustical insulation, with a density of 3 Lb. per Ft<sup>3</sup>. Four mounting straps shall be provided and four combination 1/2" - 3/4" knockouts for conduit. There shall be two brackets mounted 1 1/2" inside the enclosure to accommodate the torsion springs on the automatic baffles. The unit shall measure 25cm (10") round at the base, 29.5cm (11 5/8") at the top flange, and have a maximum depth of 10cm (4"). This unit shall be used wherever recessed ceiling or wall mount conditions exist. The backbox shall accommodate AEG baffle Models GA10W, GA11W and GA74W. Note: EA10-6L & EA10-10L are special order items, minimum qty may apply.

ULC is a Trademark of Underwriters Laboratories of Canada