



www.arnscott.com

Acoustic Back-Boxes



# E15 Series

E15 Series  
Round Acoustic Back-Boxes for 4-5"  
Loudspeakers

## FEATURES

- Rust resistant heavy gauge electro-plated steel
- A variety of volumes are available
- Mounting straps are welded at 90 degrees which can help for difficult mount installations
- Deeper models are available with Acoustic Dampening Lining
- Custom depths and k/o or mounting strap configurations are available
- Some Models approved for ULC™ Listed Installations



E15-6L



www.arnscott.com

# E15 Series

## Round Acoustic Back-Boxes for 4-5" Loudspeakers

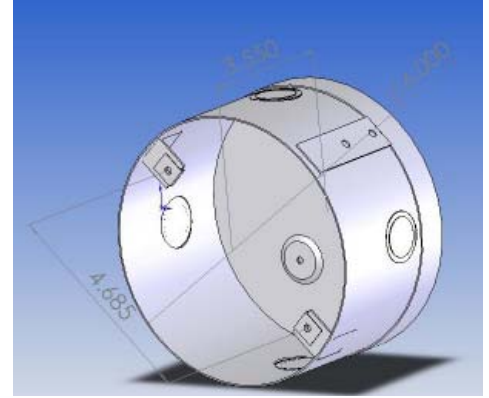
E15 Series

### SPECIFICATIONS

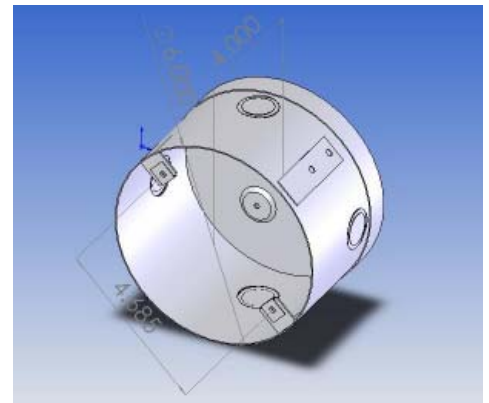
#### Baffles that work with these back-boxes:

Standard Screw Mount:  
G15W, G15PW, G71W  
Torsion Mount:  
N/A

Note: k/o's are 1-1/4" centered from the back on the sides at 90 degrees from each other. This applies to all models.  
All back-boxes can be custom configured, send us a drawing or sketch and we would be pleased to quote you.  
In order to fulfill ULC listing requirements, this back box must be installed with an Arnscott Fire Rated Speaker.



E15



E15-4

Model No.	Depth	Lined	Spray Dampened	Cubic Feet	Mounting	ULC Listed
Screw Mount:						
E15	3-1/2"	No	No	0.05	MC1-P	Yes
E15-4	4"	No	No	0.06	MC1-P	No
E15-6L	6"	Yes	No	0.20	MC1-P	No

### ARCHITECTS AND ENGINEERS SPECIFICATIONS

#### MODELS E15, E15-4, E15-6L

The ceiling BACKBOX shall be AEG Models E15, E15-4 & E15-6L. The back-box shall be constructed of electro-plated steel. Four mounting straps shall be provided as well as four combination 1/2" - 3/4" knockouts for conduit. The unit shall measure 15.2cm (6") round at the base & front, and have a maximum depth of 10cm (6")(See chart above for complete information). The back box E15-6L is lined with 5/16" thick fire retardant acoustical insulation, with a density of 3 Lb. per Ft<sup>3</sup>. These units shall be used wherever recessed ceiling or wall mount conditions exist. This back box can be used in poured concrete applications. The E15 is ULC listed and is equipped with a ground screw. These backboxes shall accommodate AEG baffle Models G15W, G15PW,& G71W.

ULC is a Trademark of Underwriters Laboratories of Canada