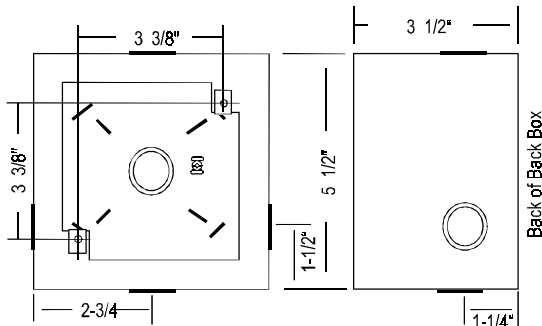
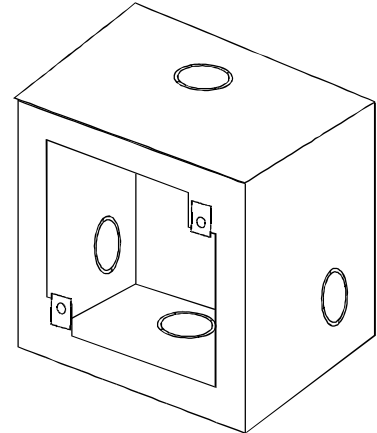


SE45W / SE45R

SQUARE SURFACE ENCLOSURES FOR 4" SPEAKERS

FEATURES:

- RUST RESISTANT HEAVY GAUGE WITH BAKED WHITE OR RED POWDER PAINTED FINISH.
- MODELS ARE U.L.C. APPROVED FOR FIRE ALARM APPLICATIONS.
- COMBINATION KNOCK OUTS ARE PRESENT IN BOTH MODELS.
- DESIGNED FOR SURFACE MOUNTING / CAN BE MOUNTED ONTO CONCRETE.



ARCHITECT'S AND ENGINEER'S SPECIFICATIONS

MODEL SE45W

The ceiling backbox shall be **AEG Model SE45W**. The backbox shall be constructed of heavy gauge steel and shall be painted with white powder paint. Combination 1/2" - 3/4" knockouts for conduit shall be provided. The unit shall measure 14cm (5 1/2") square, and have a maximum depth of 8.9cm (3.5"). This unit shall be used wherever surface ceiling or wall mount conditions exist. This unit can be mounted directly onto concrete. This unit has the back completely closed, allowing the containment of wiring and is equipped with a ground screw. This unit is U.L.C. approved for use with a voice fire alarm system. The backbox shall accommodate **AEG baffle Model G72W**.



MODEL SE45R

The ceiling backbox shall be **AEG Model SE45R**. The backbox shall be constructed of heavy gauge steel, and painted with textured red powder paint. The unit shall measure 14cm (5 1/2") square, and have a maximum depth of 8.9cm (3 1/2"). This unit shall be used wherever surface ceiling or wall mount conditions exist. This unit can be mounted directly onto concrete. This unit has the back completely closed, allowing the containment of wiring and is equipped with a ground screw. This unit is U.L.C. approved for use with a voice fire alarm system. The backbox shall accommodate **AEG baffle Model G72R**.

