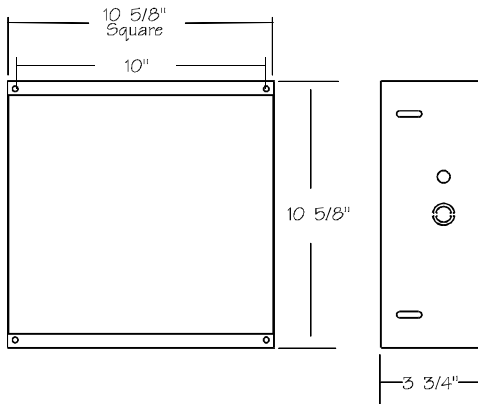
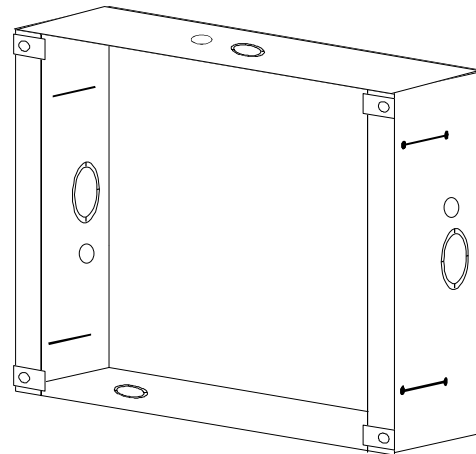


SQUARE RECESSED ENCLOSURE FOR 8" SPEAKER

FEATURES:

- SQUARE RECESSED ENCLOSURE FOR 8" BAFFLES
- MADE OF COLD ROLLED STEEL FOR MAXIMUM STRENGTH
- DEPTH OF 6" FOR BETTER SOUND REPRODUCTION
- ELECTROSTATICALLY APPLIED FINISH FOR MAXIMUM ADHESION RESISTANCE TO SCRATCH MARKS
- PRE-INSTALLED WELD NUT STANDARD (TORSION SPRING VERSION IS AVAILABLE)



ARCHITECT'S AND ENGINEER'S SPECIFICATIONS

The speaker enclosure shall be AEG Model E23 or approved equal. The enclosure shall be manufactured of cold rolled steel. The enclosure shall mount a baffle for an 8" loudspeaker. Four combination 1/2" and 3/4" knockouts and four 1/2" OD knockouts shall be provided. The enclosure shall have interior acoustical treatment using flame retardant polycell material. The finish shall be baked primer electrostatically applied for maximum adhesion and rust resistance. The enclosure to be used with AEG Model G23W baffle.