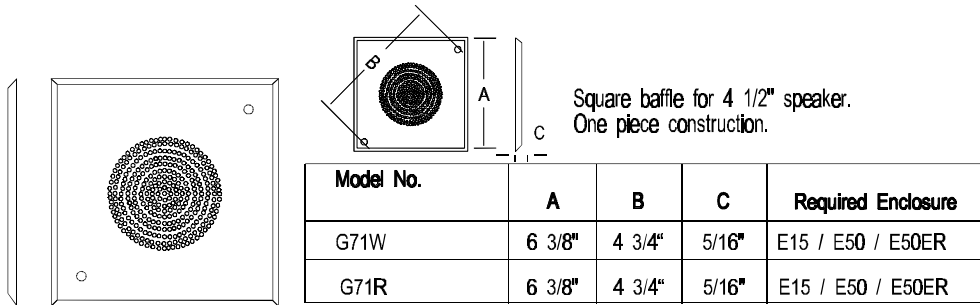
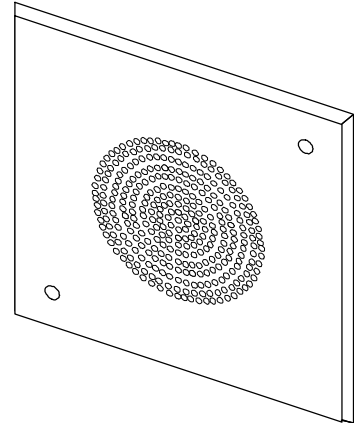


# G71W/G71R

## SQUARE BAFFLES FOR 4" SPEAKERS

### FEATURES:

- WHITE OR TEXTURED RED POWDER PAINT FINISH
- TWO SCREW MOUNTING
- ECONOMICAL DESIGN
- ALL-STEEL CONSTRUCTION
- WELDED SPEAKER STUDS



## ARCHITECT'S AND ENGINEER'S SPECIFICATIONS

### MODEL G71W

The flush ceiling baffle shall be ARNSCOTT Model G71W. The baffle shall be fabricated from one piece of steel, finished in semi-gloss white powder paint and shall measure 16.2cm (6-3/8") square and 0.8cm (5/16") deep. A 4-1/2 inch loudspeaker shall mount to two concealed studs, making a very clean installation job. This unit can be used for recessed mounting only. Two holes shall be provided to mount the baffle onto ARNSCOTT Models E15, E50, and E50ER enclosures. This square baffle shall be used wherever 4 1/2" speaker baffles are required for economical and quick installation.

### MODEL G71R

The flush ceiling baffle shall be ARNSCOTT Model G71R. The baffle shall be fabricated from one piece of steel, finished in textured red powder paint and shall measure 16.2cm (6-3/8") square and 0.8cm (5/16") deep. A 4-1/2 inch loudspeaker shall mount to two concealed studs, making a very clean installation job. This unit can be used for recessed mounting only. Two holes shall be provided to mount the baffle onto ARNSCOTT Models E15, E50, and E50ER enclosures. This square baffle shall be used wherever 4 1/2" speaker baffles are required for economical and quick installation.