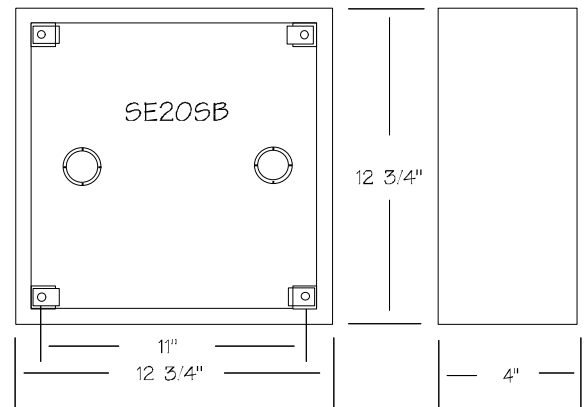
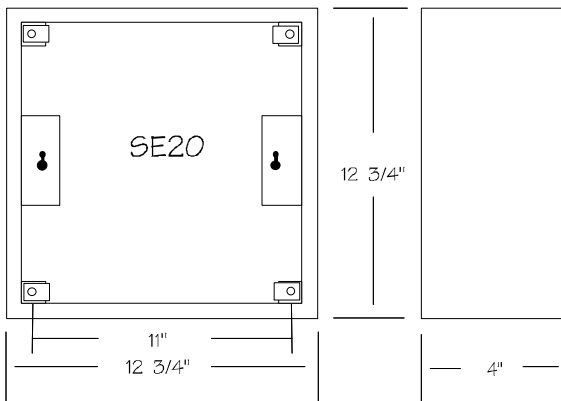
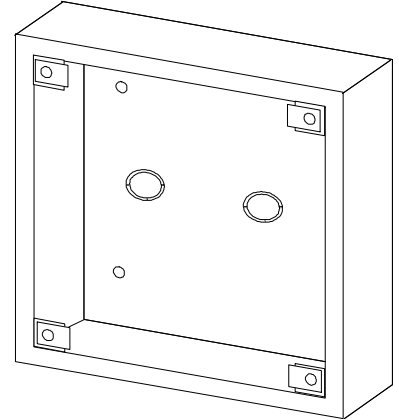


# SE20 / SE20SB

## SQUARE SURFACE ENCLOSURES FOR 8" SPEAKERS

### FEATURES:

- DESIGNED FOR SURFACE MOUNTING, CAN BE USED ON CONCRETE
- RUST RESISTANT HEAVY GAUGE WITH BAKED WHITE POWDER PAINTED FINISH
- SOLID BACKED MODEL IS U.L.C. APPROVED FOR FIRE ALARM APPLICATIONS
- TWO COMBINATION KNOCK OUTS ARE PRESENT IN THE SE20SB BACK PANEL.



### ARCHITECT'S AND ENGINEER'S SPECIFICATIONS

#### MODEL SE20

The ceiling backbox shall be AEG Model SE20. The backbox shall be constructed of heavy gauge steel and painted with white powder paint. The unit shall measure 32.4cm (12-3/4") square, and have a maximum depth of 10.2cm (4"). This unit shall be used wherever surface ceiling or wall mount conditions exist. The back of this unit is completely open, with the exception of the two keyed mounting brackets. This unit can be mounted directly onto concrete. The backbox shall accommodate AEG baffle Models G25W, G25WS, G25WNS and G51W.



#### MODEL SE20SB

The ceiling backbox shall be AEG Model SE20SB. The backbox shall be constructed of heavy gauge steel and shall be painted with white powder paint. Two combination 1/2" - 3/4" knockouts for conduit shall be provided on the back. The unit shall measure 32.4cm (12-3/4") square, and have a maximum depth of 10.2cm (4"). This unit shall be used wherever surface ceiling or wall mount conditions exist. This unit can be mounted directly onto concrete. This unit has the back completely closed, allowing the containment of wiring. This unit is U.L.C. approved for use with a fire alarm system. The backbox shall accommodate AEG baffle Models G25W, G25WS, G25WNS and G51W.

