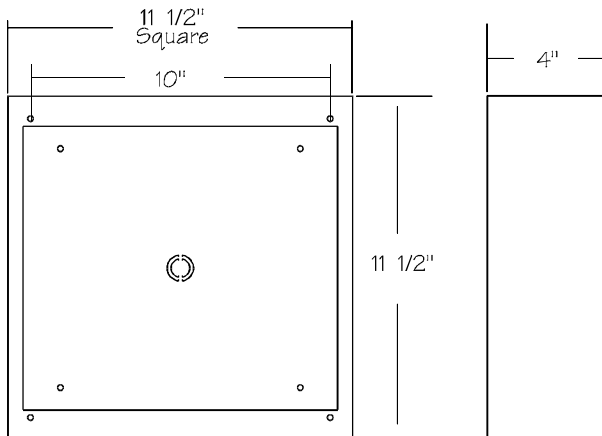
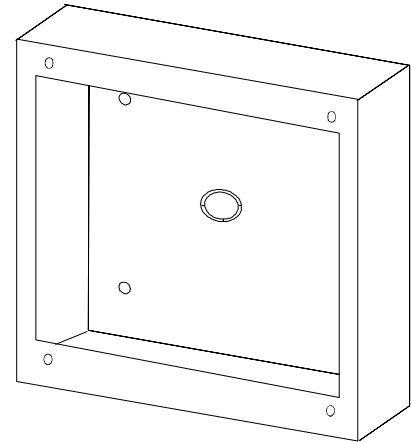


SQUARE SURFACE ENCLOSURE FOR 8" VANDAL-PROOF

FEATURES:

- VANDAL-PROOF ENCLOSURE FOR 8" BAFFLE
- THREADED HOLES PROVIDE STANDARD MOUNTING
- 16 GAUGE COLD ROLLED STEEL FOR MAXIMUM STRENGTH
- POWDER COATED SPEAKER WHITE, VERY DURABLE FINISH



ARCHITECT'S AND ENGINEER'S SPECIFICATIONS

The vandal-proof enclosure shall be AEG Model SE23 or approved equal. The enclosure shall be manufactured of 16 gauge cold rolled steel. The enclosure shall mount AEG vandal-proof baffle Model G23W 8" loudspeaker or approved equal. Four mounting holes and one combination 1/2" and 3/4" knockouts shall be provided. The enclosure shall have interior acoustical treatment using flame retardant polycell material. The finish shall be electrostatically applied baked enamel for maximum adhesion and scratch resistance. The enclosure to be used with AEG Model G23W baffle.