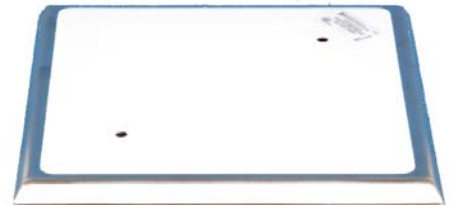




www.arnscott.com

Fire Safety Devices



G75SS

G7XSS Series

Square Acoustic Cover for 4-5" or 8" Loudspeakers in Clean Room Environments

FEATURES

- Stainless Steel fully welded construction
- Two screw mount for a quicker installation
- Simple to install or retrofit
- Mylar Diaphragm with Permanent adhesive assembly
- Clean, smooth design
- Covers any assembly using G71W or G25W baffle
- This is a cover, it is installed over the speaker assembly, then must be silicone calked in place to seal the edge.



G76SS



www.arnscott.com

G7XSS Series

Loudspeaker Baffles

Square Acoustic Cover for 4-5" or 8" Loudspeakers in clean room environments

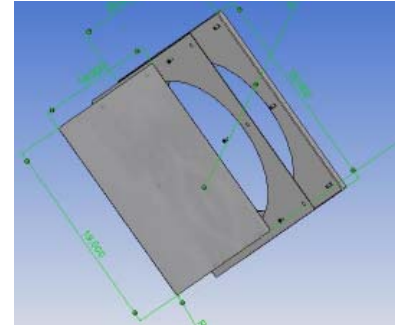
G7XSS Series

SPECIFICATIONS

Back-boxes that work with these baffles:

Standard Screw Mount, 4-5"speakers:
E15, E15-4, E15-6L, SE48W, SE48SS

Standard Screw Mount, 8"speakers:
E20, SE20SB, SE20SS



Note: All models are equipped with mounting screws in stainless steel and white painted head screws, to fit the appropriate back box.

All back boxes can be custom painted to match a particular colour scheme. Send us a colour match and we would be pleased to quote you. Covers are stainless steel with white cover.

Model No.	Width	Mount	Flange Ht.	Spkr Mnt	Material	Finish	ULC Listed
Screw Mount:							
G75SS	6-1/2"	4-3/4	3/16"	N/A	20 Ga 304 SS	None	Yes
G76SS	12-3/4"	11"	3/16"	N/A	20 Ga 304 SS	None	Pending

ARCHITECTS AND ENGINEERS SPECIFICATIONS

MODEL G75SS / G76SS

The flush ceiling baffle cover shall be an AEG Model G75SS (G76SS). The baffle cover shall be fabricated from one piece of mildly brushed No. 304 stainless steel, with a permanent adhesive white textured Mylar diaphragm attached. This cover shall measure 16.6cm (6-1/2") (G76SS – 32.4cm - 12-3/4") square and 0.95cm (3/8") deep. This cover is to be installed over top of any AEG G71W (G25W) baffle using the stainless steel screws provided. Two (four) holes shall be provided to mount the baffle on AEG Models E15 (E20), or special ordered SE48W - cold rolled steel painted powder White (SE20SB, cold rolled steel painted white) or SE48SS (SE49SS), Stainless steel surface mount enclosure. This unit is to be used wherever a loudspeaker is specified in a clean room type environment. It is recommended to silicone calk the exposed edges of this product after installation. Adding this product to any speaker will dampen the sound output by at least 3 dB. which is the equivalent of one transformer tap. Two types of screws are included with each cover, 8-32 machine screws for machine screw type nuts on the enclosure, or sheet metal type #8 threaded screws for speed clip type inclosures. If the covers are made of cold rolled steel and powder painted, then hardware is changed to cold rolled with the head painted white.