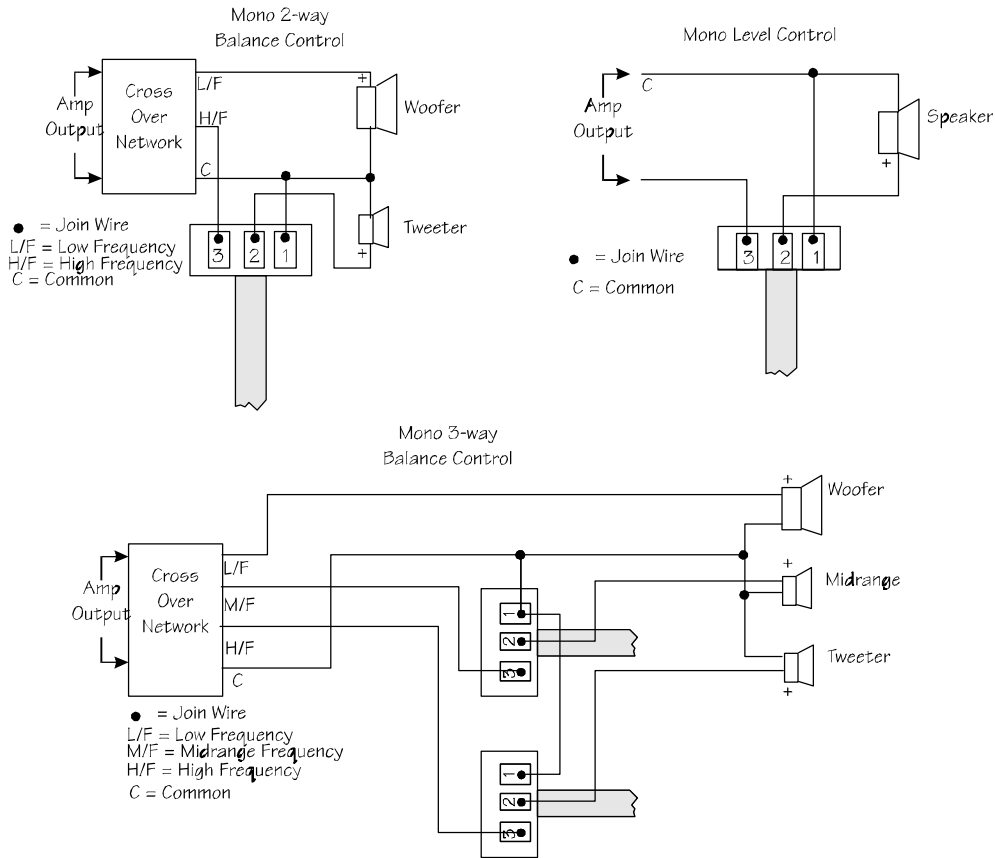


MONO L-PADS INSTALLATION DIAGRAMS

AEG'S L-PADS ARE WIRE WOUND TO ENSURE NOISE FREE OPERATION FOR MANY YEARS. THESE CONTROLS CAN BE USED FOR MANY APPLICATIONS, AS THE DIAGRAMS SHOW BELOW. IF YOU ARE INTERESTED IN OTHER APPLICATIONS, SEE AEG'S STEREO L-PAD INSTALLATION SHEET. ALL AEG L-PADS ARE FOR 8 OHM LOADS. POWER RATING IS SHOWN ON THE CARTON, PRODUCT, AND CATALOGUE.



Wiring Descriptions:

Mono 2-way balance control:

This situation would be used primarily to wire a two way (woofer and tweeter) into a single enclosure. Primarily, the tweeter is more efficient than the woofer. This is an inexpensive way to adjust the volume of the tweeter.

Mono level control:

Use this wiring diagram when you need to control the volume of one 8-ohm speaker, or a bunch of speakers that are connected together in a way that they represent an 8 ohm load to the L-pad.

Mono 3-way balance control:

This is exactly the same principal as the 2-way system above, however the midrange is controlled as well.