



[www.arnscott.com](http://www.arnscott.com)

## Acoustic Back-Boxes



# E10S

Round Flanged Acoustic Back-Box for  
8" Loudspeakers

### FEATURES

- Rust resistant heavy gauge electroplated steel, black finish
- Lined with fire retardant acoustical dampening material
- Mounting straps are welded at 90 degrees which can help for difficult mount installations
- Stackable shape allows for economical freight costs





www.arnscott.com

# E10S

## Round Flanged Acoustic Back-Boxes for 8" Loudspeakers

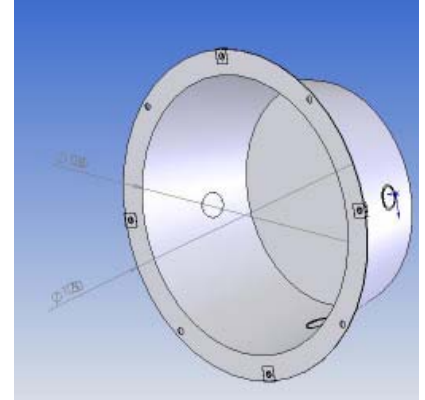
E10S Series

### SPECIFICATIONS

Baffles that work with these back-boxes:

Standard Screw Mount:  
G10W, G11W, G11A, G11SS, G24W,

Note: k/o's are 2" centered from the back on the sides at 90 degrees from each other. This applies to all models.



Model No.	Depth	Lined	Spray Dampened	Cubic Feet	Mounting	ULC Listed
Screw Mount:						
E10S	4"	Yes- Bottom	No	0.18	MF1, MC1-P	Yes - Pending

### ARCHITECTS AND ENGINEERS SPECIFICATIONS

#### MODEL E10S

The ceiling BACKBOX shall be AEG Model E10S. The back-box shall be constructed of electro-plated steel and shall have the interior bottom lined with 5/16" thick acoustic dampening material. Four mounting straps shall be provided as well as four combination 1/2" - 3/4" knockouts for conduit. The unit shall measure 25cm (10") round at the base, 29.5cm (11 5/8") at the top flange, and have a maximum depth of 10cm (4"). These units shall be used wherever recessed ceiling or wall mount conditions exist. For concrete applications use AEG Model E11 backbox and G11-14W baffle. The E10S is ULC listed (Pending). This backbox shall accommodate AEG baffle Models G10W, G11W, G11A, G11SS and Vandal Proof G24W.

ULC is a Trademark of Underwriters Laboratories of Canada