



www.arnscott.com

Acoustic Back-Boxes



E11 Series

Round Acoustic Back-Boxes for 8"
Loudspeakers, Concrete applications

FEATURES

- Rust resistant heavy gauge electro-plated steel
- A variety of volumes are available
- Mounting straps are welded at 90 degrees which can help for difficult installations
- Deeper models are available with Acoustic Dampening Lining
- Custom depths and k/o or mounting strap configurations are available

E11 Series

Round Acoustic Back-Boxes for 8" Loudspeakers, Poured Concrete Applications

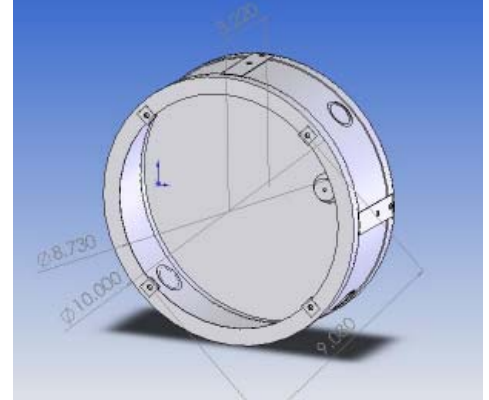
E11 Series

SPECIFICATIONS

Baffles that work with these back-boxes:

Standard Screw Mount:
G11-14W
Torsion Mount:
N/A

Note: k/o's are 1-1/4" centered from the back on the sides at 90 degrees from each other. This applies to all models. All back-boxes can be custom configured, send us a drawing or sketch and we would be pleased to quote you.



Model No.	Depth	Lined	Spray Dampened	Cubic Feet	Mounting	ULC Listed
Screw Mount:						
E11	3-1/4"	No	Yes	0.14	MF1, MC1-P	Yes

ARCHITECTS AND ENGINEERS SPECIFICATIONS

MODELS E11

The ceiling BACKBOX shall be AEG Model E11. The back-box shall be constructed of electro-plated steel and shall have the interior coated with resonance damping material. Four mounting straps shall be provided as well as four combination 1/2" - 3/4" knockouts for conduit. The unit shall measure 25cm (10") round at the base, 25cm (10") at the top in turned flange, and have a maximum depth of 8.2 cm (3-1/4"). These units shall be used wherever recessed ceiling or wall mount conditions exist, and specifically for poured concrete type installations. This backbox shall accommodate AEG baffle Model G11-14W.

ULC is a Trademark of Underwriters Laboratories of Canada